

WALLPOD:EV

FREE-TO-USE

Type 2, Mode 3 Charging Socket
3.6kW Or 7.2kW

ROLEC

EV

MANUFACTURED IN THE UK



Unit shown: WALLPOD:EV
Socket (Type 2) Charging Unit

The WALLPOD:EV is a low-cost, entry level charging unit, designed to offer full Mode 3 fast charging to every Electric Vehicle (EV/PHEV) on the market today.

This charging unit has been specifically designed for domestic and commercial locations including offices, factories, restaurants, hotels, sports venues, etc.

PRODUCT FEATURES

- IEC 61851-1 Mode 3 fast charging
- IEC 62196 (Type 2) charging socket
- Charging speeds - 3.6kW (16A) & 7.2kW (32A)
- Built-in overload and fault current protection (RCBO)
- Built-in DC sensitive protective device
- Built-in LED charging status indicator
- OLEV Grant Fundable under the Workplace Charging Scheme
- Certificated by the BSI as safe to use in the domestic environment
- Easy to install and maintain
- IP65 Weatherproof & UV stabilised
- Corrosion resistant & fire retardant
- Impact resistant design
- CE certified



Grant Fundable



Safety In The Home Certified



Colour Options Available



IP65 Weather Proof



Flame Retardant

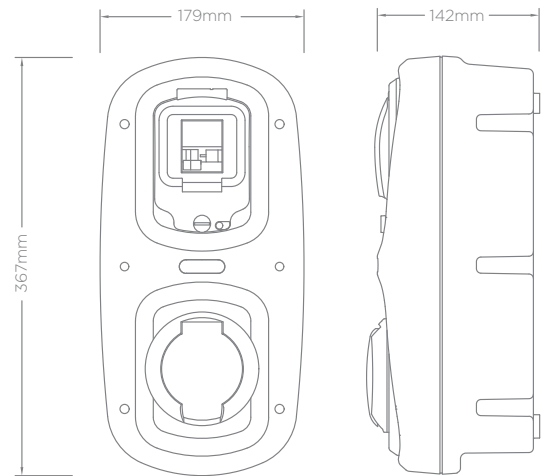


UV Stabilised

SPECIFICATIONS

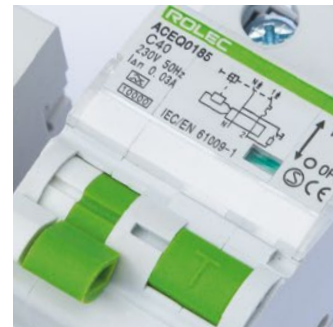
PHYSICAL

| | |
|------------------------------|---|
| Dimensions | 179mm x 367mm x 142mm (W x H x D) |
| Standard Base Colour | Warm White (Other colours available upon request) |
| Standard Pod Colour | Green (Other colours available upon request) |
| Unit Material | Polycarbonate (303 EP-22) |
| Operating Temperature | -30°C to +50°C |
| Certifications & Compliances | BSI Certified - BS EN 60335-1 Wiring Regulations - BS 7671 (18th Edition) IET EV Regulations, Glow Wire Testing - IEC 60695-2-13 EMC Compliance - EN 61000-6-3:2007, EN 61000-6-2:2005 Safety Compliance - EN 60950-1:2006, EN 60950-22:2006, Low Voltage Directive (LVD) 2014/35/EU Environmental Protection - IP65 (Category 1) Weatherproof BS EN 60529, UL94 Flame Rating at V2 for 1.5mm and 3.0mm |



ELECTRICAL

| | | | | |
|-------------------------------------|--|----------|--|----------|
| Product Code | EVWP2010 | EVWP2016 | EVWP2020 | EVWP2026 |
| Charging Socket | IEC 62196 (Type 2) | | | |
| Rated Output | 3.6kW | | 7.2kW | |
| Rated Current | 16A | | 32A | |
| Charge Protocol | Mode 3 | | | |
| EV Charging Compliance | EN 61851-1:2001, EN 61851-21:2002, EN 61851-22:2002 | | | |
| Input Voltage | 230V AC/50Hz (Single Phase) | | | |
| Overload & Fault Current Protection | Built-in 20A, 30mA Type A RCBO & 6mA DC Sensitive Device | | Built-in 40A, 30mA Type A RCBO & 6mA DC Sensitive Device | |
| Incoming Cable Terminals | 16mm earth | | | |
| Security Socket Hatchlock | ✗ | ✓ | ✗ | ✓ |



OPTIONS & ACCESSORIES

- Key switch control charging
- Lockable door to switchgear
- Built-in class 1 MID compliant kWh meter
- Built-in time clock providing charge time management
- Corporate branding (colours, logo badge, etc.)
- Amp-Selector key switch (switches between 16A or 32A)
- Charge-By-Solar switch (switches between 6A, 13A, 16A or 32A)
- Charge point signage
- EV charging cables (Type 1 to Type 2 or Type 2 to Type 2)



Images are for marketing purposes only and are not contractual © 2019



Head office contact:
t: +44 (0) 1205 724754
f: +44 (0) 1205 724876
rolec@rolecserv.co.uk

Rolec Services Ltd
Ralphs Lane, Frampton West
Boston, Lincolnshire
UK. PE20 1QU

EVWPSD-03
@RolecEV
www.rolecserv.com